

Contents & Technical Questions or Concerns



STOP! All work detailed in these instructions must be done by a qualified technician.



Subject: Caliber Access Door Installation
Date: February 09, 2026
Models / Parts Affected: CAD

Contents

Technical Questions or Concerns 1
Overview 1
 Important Safety Information 1
 Required Components 1
 Required Tools 1
Before You Begin 3
 Cutout Dimensions 3
 Door Casing Specifications 4
Installation 7
 Door Installation 7
 Door Adjustment 8
Appendix A 11
 Door Removal 11
 Door Reinstallation 11
 Handle Removal/Tightening 12
Appendix B 13
 Warranty Information 13

Technical Questions or Concerns
 For more information, please contact our Technical Support team.
Technical Phone: +1 855 217 6025
Technical Email: TechnicalSupport@True-Caliber.com
 7:00am-6:00pm CST Monday-Friday

Overview

This document describes installation information for Caliber Access Door(s) (CAD). Install the unit as described in the installation procedure.

Important Safety Information



WARNING! This product can expose you to chemicals including Chromium VI Compounds, which are known to the State of California to cause cancer and birth defects or other reproductive harm. For more information, go to www.P65warnings.ca.gov.



- WARNING!**
- Lifting assistance may be required. Team lift or use a lifting device. Always use proper lifting techniques or personal injury may occur.
 - DO NOT pull or hang on doors. Personal injury or property damage may occur.



WARNING! Sharp edges. Take care when installing, cleaning, servicing, and maintaining the equipment.



WARNING! Pinch hazard. Keep clear of pinch-point areas



WARNING! The appliance owner is responsible for performing a Personal Protective Equipment (PPE) Hazard Assessment and ensuring adequate protection during maintenance and cleaning procedures.



Use appropriate tools, safety equipment, and PPE during installation and servicing.



Required Components

- The installer must provide the following:
- Shims (composite recommended; quantity varies by model)
 - (4) #8 or #10 Stainless Steel Screws

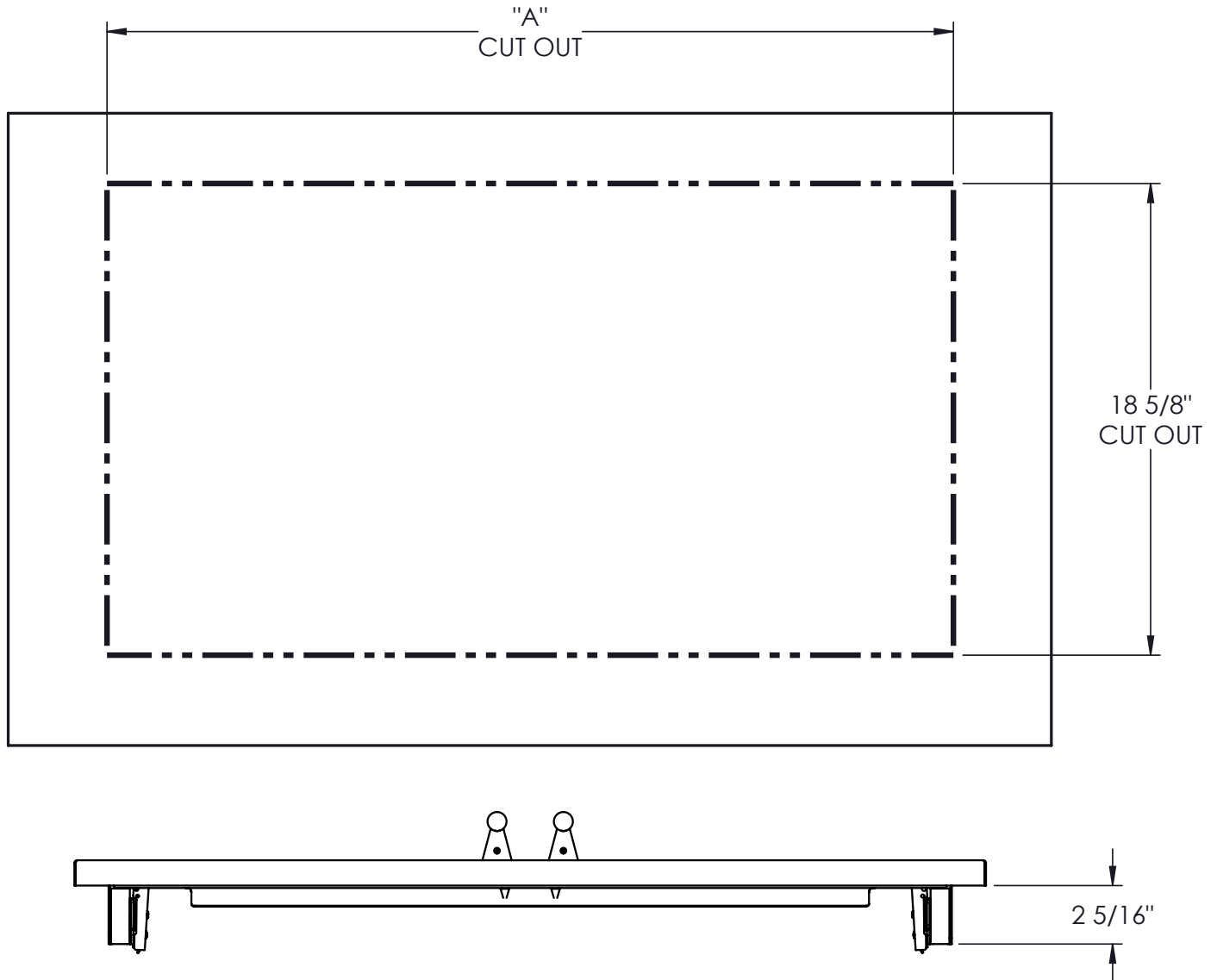
Required Tools

- Required tools include (but may not be limited to) the following:
- Gloves
 - Eye Protection
 - Phillips Screwdriver
 - Drill Bit for Pilot Hole (suitable for enclosure material)
 - Drill

Before You Begin

Before You Begin

Cutout Dimensions

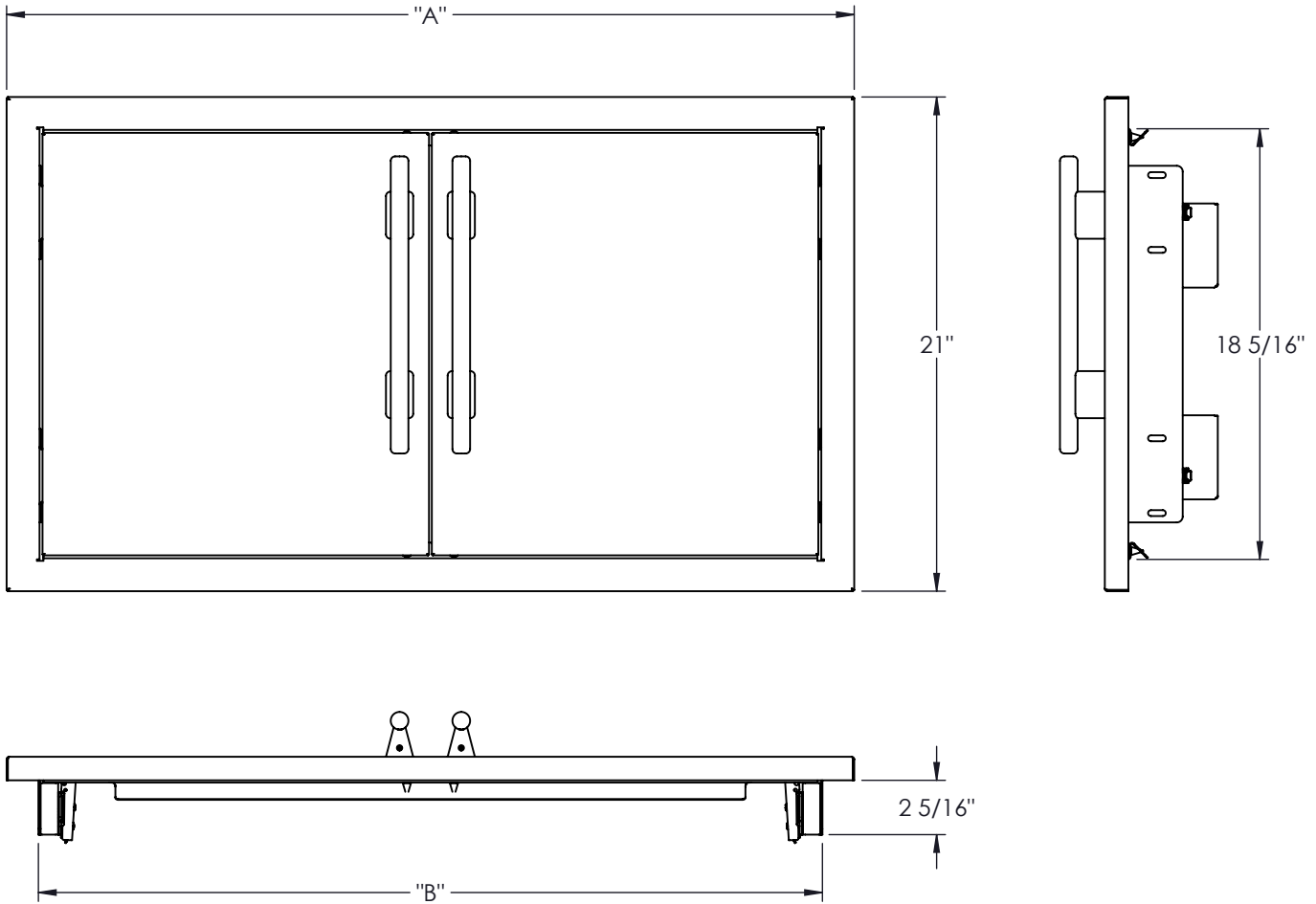


Model	"A" Cut Out*
36"	33-7/16" (849.3 mm)
42"	39-7/16" (1001.7 mm)
48"	45-7/16" (1154.1 mm)

*Shim sides to keep doors centered

Before You Begin (cont.)

Door Casing Specifications



Model	A*	B
36"	36" (914.4 mm)	33-5/16" (838.2 mm)
42"	42" (1066.8 mm)	39-5/16" (990.6 mm)
48"	48" (1219.2 mm)	45-5/16" (1143 mm)

*Shim sides to keep doors centered

Installation

Installation

Door Installation

NOTE: The following procedure assumes you leave the doors installed in the door casing. If you prefer to remove the doors, see “Appendix A” starting on pg. 12.

NOTICE! Be sure to periodically inspect door assembly screws (see fig. 1) and tighten as needed. Inspection frequency varies by application.

1. Position the door assembly in the cutout. Rest the door assembly’s bottom edge on the cutout’s bottom edge. Then, tilt the door assembly backward into the cutout.
2. While holding the door assembly in position, open a door and then, with installer-provided hardware (and shims, if applicable), fasten the top of the door assembly to the enclosure. See fig. 1.
3. Repeat the previous step on the opposite side.
4. Repeat steps 2 and 3 at the bottom of the door assembly.
5. Proceed to “Door Adjustment” (starting on pg. 8).

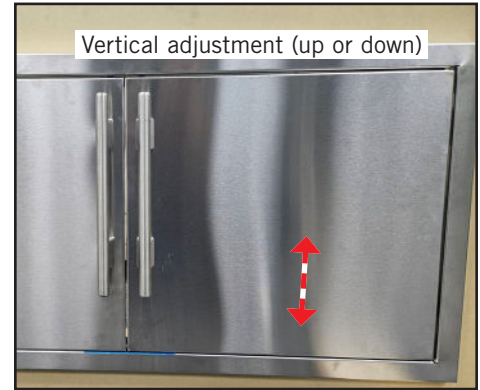
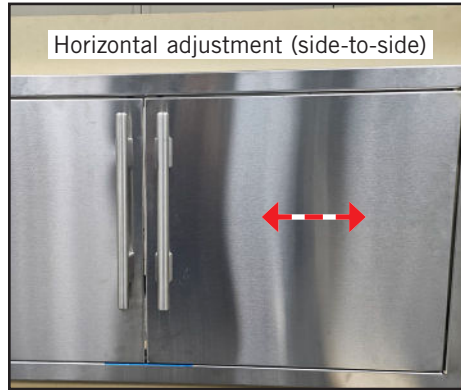
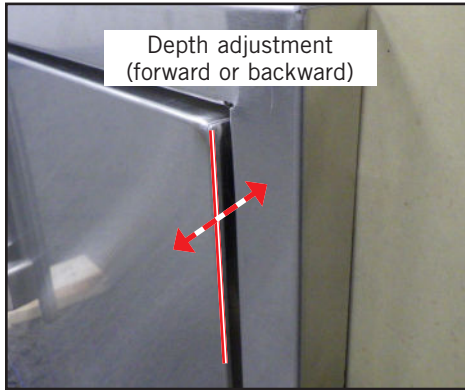


Fig. 1. Door assembly screw locations. Hardware supplied by the installer.

Installation (cont.)

Door Adjustment

CAD models are adjustable in three directions. See the figures below.



Required Tools

Required tools include (but may not be limited to) the following:

- Gloves
- Eye Protection
- Phillips Screwdriver

Depth Adjustment (forward or backward)

1. Loosen the indicated hinge adjustment screw. See fig. 1.
2. Slide the door hinge forward or backward until the door front is flush with the door casing.
3. Tighten the hinge adjustment screw.



Fig. 1. Depth adjustment screw location.

Installation (cont.)

Door Adjustment (cont.)

Horizontal Adjustment (side-to-side)

Turn the horizontal adjustment screw (see fig. 2) to move the door side-to-side.

- **Counterclockwise** turn moves the door closer to the door casing. See fig. 3.
- **Clockwise** turn moves the door away from the door casing. See fig. 4.

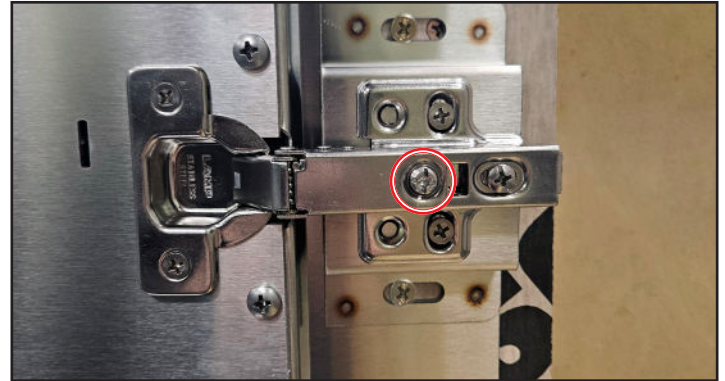


Fig. 2. Horizontal adjustment screw location.

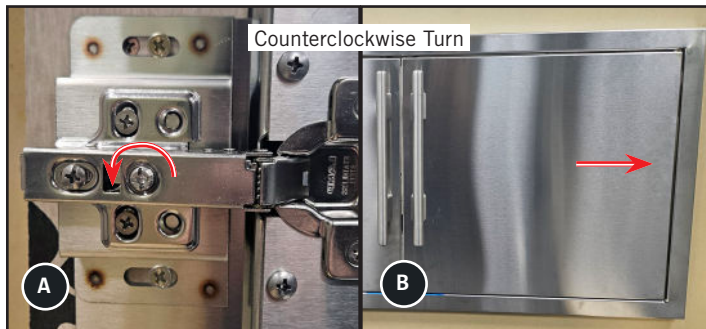


Fig. 3. Turn the horizontal adjustment screw counterclockwise to move the door towards the door casing.

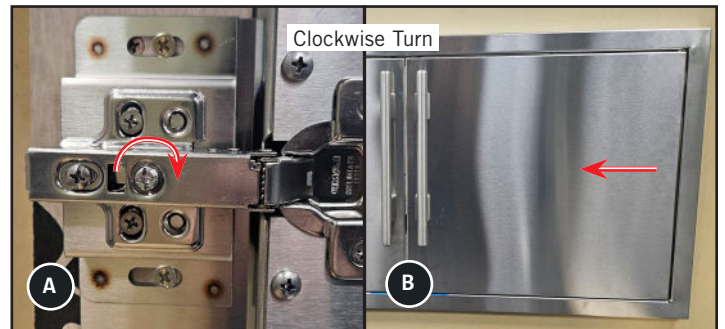


Fig. 4. Turn the horizontal adjustment screw clockwise to move the door away from the door casing.

Vertical Adjustment (up or down)

1. Loosen (**DO NOT remove**) the vertical adjustment screws on both hinges. See fig. 5.
2. Adjust the door up or down.
3. With the door in the desired position, tighten the vertical adjustment screws.



Fig. 5. Vertical adjustment screw locations.

Appendix A

Appendix A

Door Removal

1. If present, remove the door bin.
2. While supporting the door, pull the hinge release tab at the back of the hinge. See fig. 1. Then, slide the hinge forward.
3. Repeat the previous step for the other door hinge.

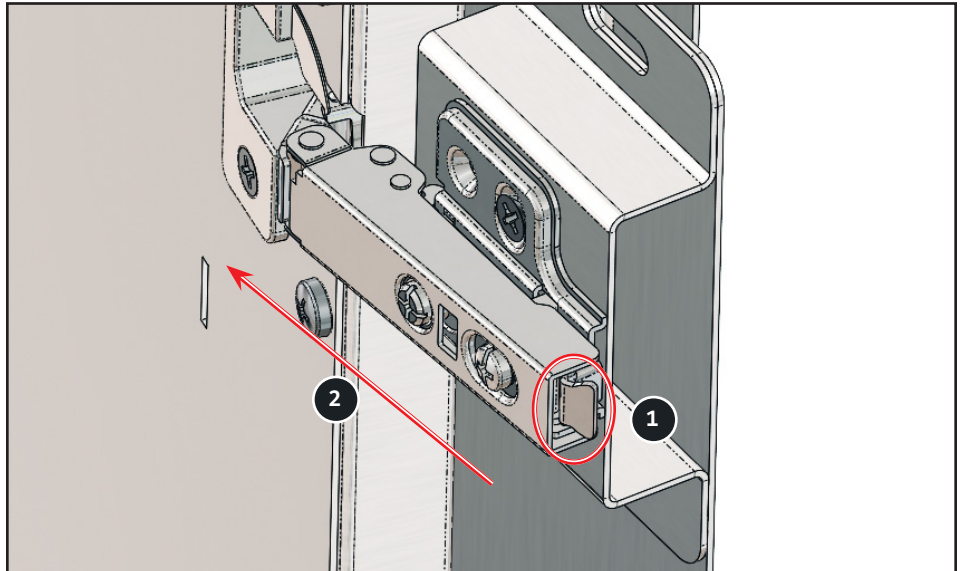


Fig. 1. Hinge release tab location.

Door Reinstallation

1. Hook one door hinge onto the corresponding hinge base. See fig. 1.
2. Push the door hinge rear towards the hinge base to snap the door hinge into place. See fig. 2.
3. Repeat for the other hinge.

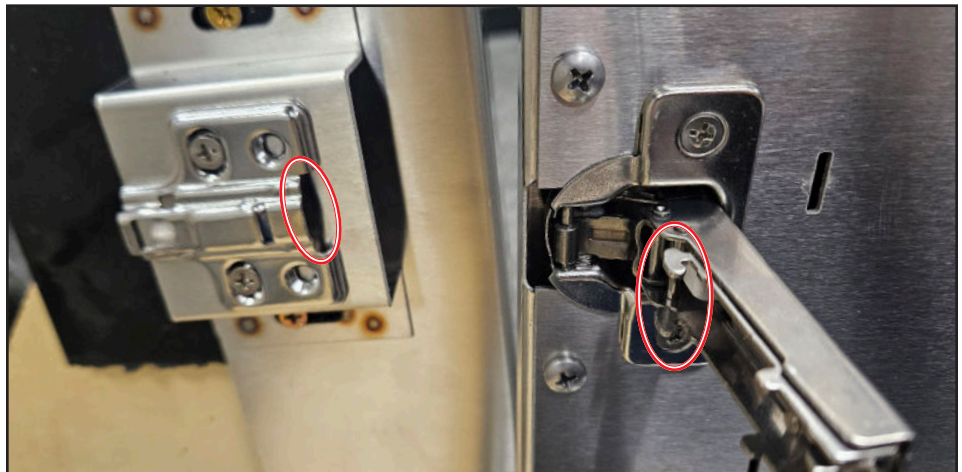


Fig. 1. Hinge base slot and hinge hook locations.

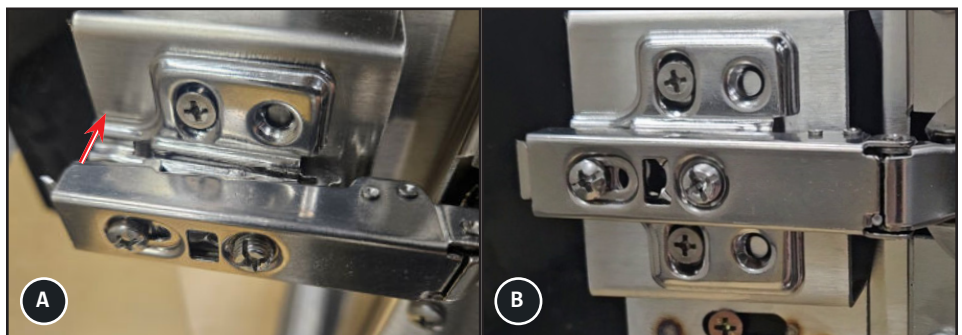


Fig. 2. Push the door hinge towards the hinge base (A) to complete reinstallation (B).

Appendix A

Handle Removal/Tightening

Required Tools

Required tools include (but may not be limited to) the following:

- Gloves
- Eye Protection
- 3/32" Allen Wrench
- Phillips Screwdriver

Procedure

1. With a 3/32" Allen wrench, loosen (**DO NOT REMOVE**) the handle base set screws. See fig. 1.
2. Remove the handle assembly from the door.
3. With a Phillips screwdriver, carefully tighten the handle screws. See fig. 2.

NOTE: DO NOT overtighten.

4. Position the tightened handle assembly on the door. Then, carefully tighten the handle base set screws.

NOTE: DO NOT overtighten.

5. Verify the handle does not move.

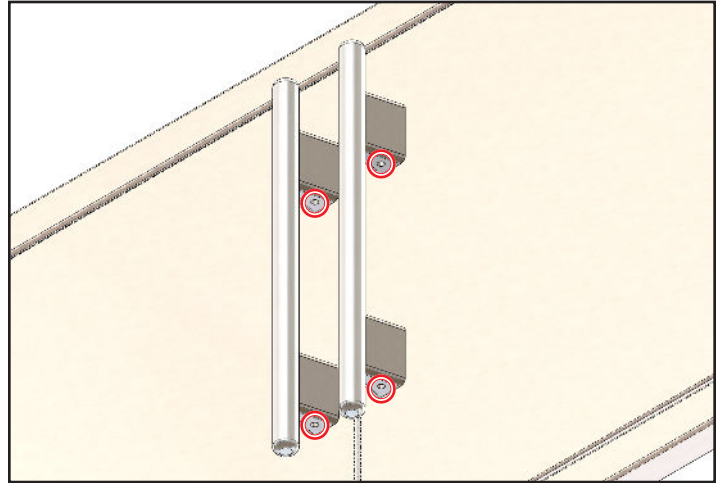


Fig. 1. Handle base set screw locations.

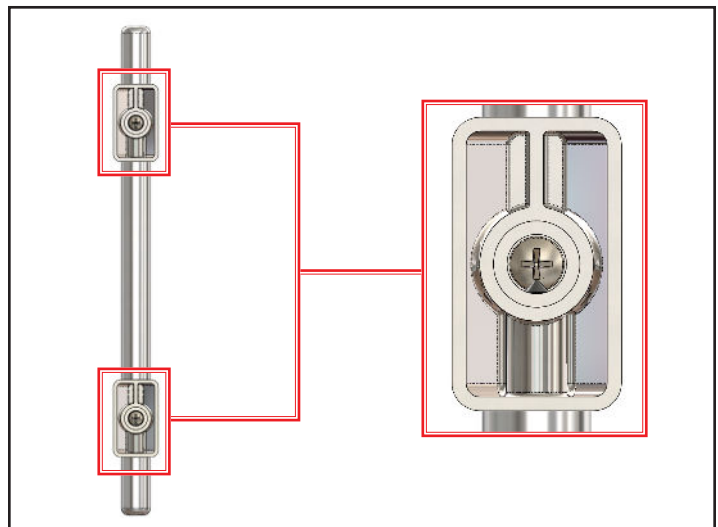


Fig. 2. Handle screws.

Appendix B

Appendix B

Warranty Information

To view and download
warranty information,
scan the QR code below.

